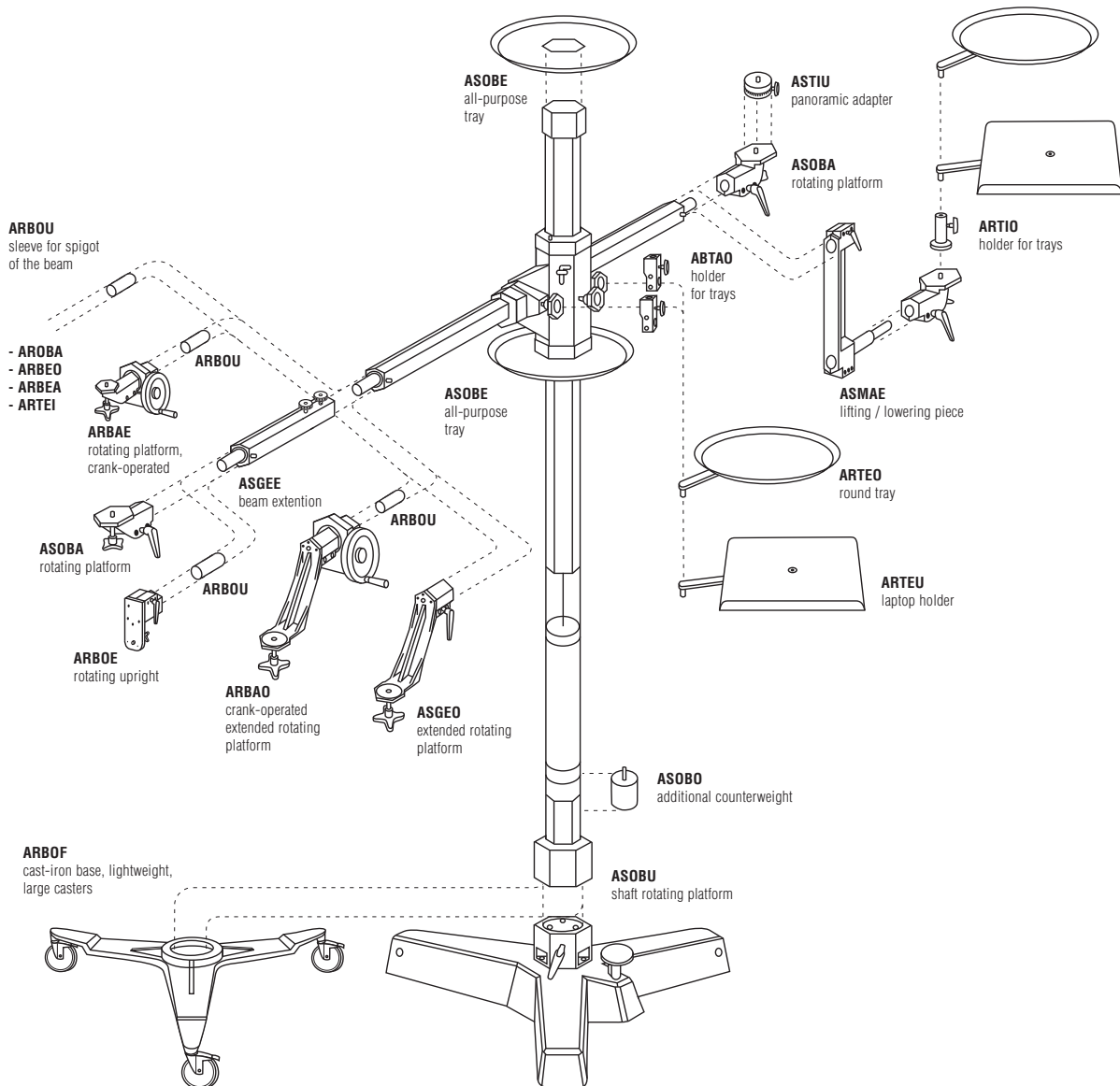


THE MIDDLEWEIGHTS – FOR UNIVERSAL APPLICATIONS
Our well-tryed **ASABA** tower stand.

It is ideal for professional cameras format 4 x 5", medium format cameras and passport photo cameras. The horizontal arm with ball bearings has a camera mounting on both sides, so that the two cameras most used in the studio can stay permanently on the stand. A counterweight inside the column makes height adjustment, which also runs on ball bearings, easy. The **ASOBU** fitting allows column rotation on the cast base, which glides on ball-bearing castors. The base is lowered to the floor by pedal.



The universal studio stand **ASABA** is optionally available in all heights up to 3 metres. The following picture shows the variety of accessories available for the customization of **ASABA** to every particular need.



Overall height:

2.5 m (up to 3.0 m at extra charge)

Length of horizontal beam:

100 cm

Total weight:

96 kg

Max. shaft diameter:

91 mm

Max. dia. of horizontal beam:

57 mm

Lifting capacity (without additional counterweight):

6 kg



Delivered with a rotating platform ASOBA

Wide range of accessories for fitting out the ASABA studio stand to individual needs.